

THIS COPY IS PROVIDED ON A RESTRICTED BASIS AND IS NOT TO BE USED IN ANY WAY DETRIMENTAL TO THE INTERESTS OF PANDUIT CORP.

PANDUIT PART NUMBER	STUD SIZE	DIMENSIONS in.				
		A $\pm .02$	W $\pm .01$	C $\pm .02$	M $\pm .02$	H $\pm .01$
P10-6LF	#6	.77 (19.56)	.30 (7.62)	.23 (5.84)	.53 (13.46)	.14 (3.56)
P10-8LF	#8	.79 (20.07)	.30 (7.62)	.23 (5.84)	.53 (13.46)	.16 (4.06)
P10-10LF	#10	.79 (20.07)	.34 (8.64)	.23 (5.84)	.53 (13.46)	.19 (4.83)
P10-14LF	1/4"	.92 (23.37)	.46 (11.68)	.33 (8.38)	.63 (16.00)	.25 (6.35)

NOTES:

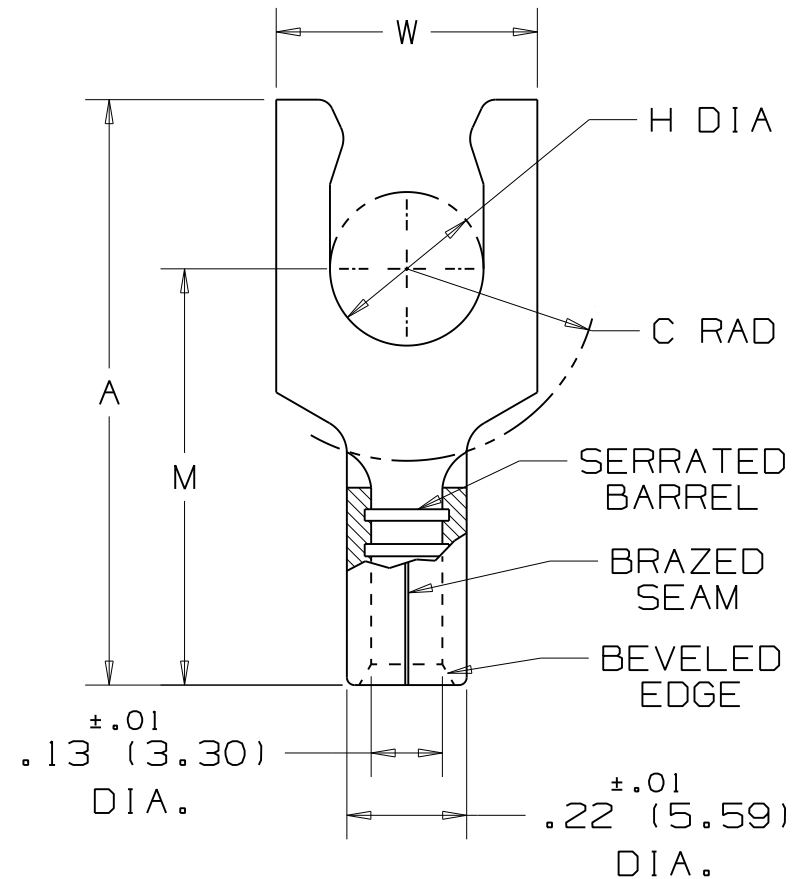
- UL LISTED AND CSA CERTIFIED FOR:
  - #14-10 AWG SOLID OR STRANDED COPPER WIRE
  - 302° F (150° C) MAX. TEMP. RATING
- MATERIAL:
  - STAMPING - .04" (1.02) THK COPPER, TIN PLATED
- SEE [www.panduit.com](http://www.panduit.com) FOR PART NUMBER SUFFIX DESIGNATION FOR PACKAGE SIZE.
- DIMENSIONS IN BRACKETS ARE IN MILLIMETERS
- INSTALLATION TOOLS:
  - UL LISTED AND CSA CERTIFIED: CT-100, CT-200, CT-570, CT-600-A, CT-1570, CT-1701, CT-2500
  - PANDUIT APPROVED: CT-160, CT-260
- WIRE STRIP LENGTH: 9/32 <sup>+1/32</sup> <sub>-0</sub> (7.1 <sup>+8</sup> <sub>-0</sub>)



LISTED  
587H  
E52164



CERTIFIED  
LR31212



REV	DATE	BY	DESCRIPTION	PM	CUST
08	8/11	SHOR	MODIFIED NOTE #3, ADDED INSTALLATION TOOLS		

**PANDUIT**

CORP.

TINLEY PARK, ILLINOIS

#12-10 BARREL NON-INSULATED  
LOCKING FORK

DRAWN BY: DAW    CHK'D:    SCALE: NONE    DRAWING NO.: A41287